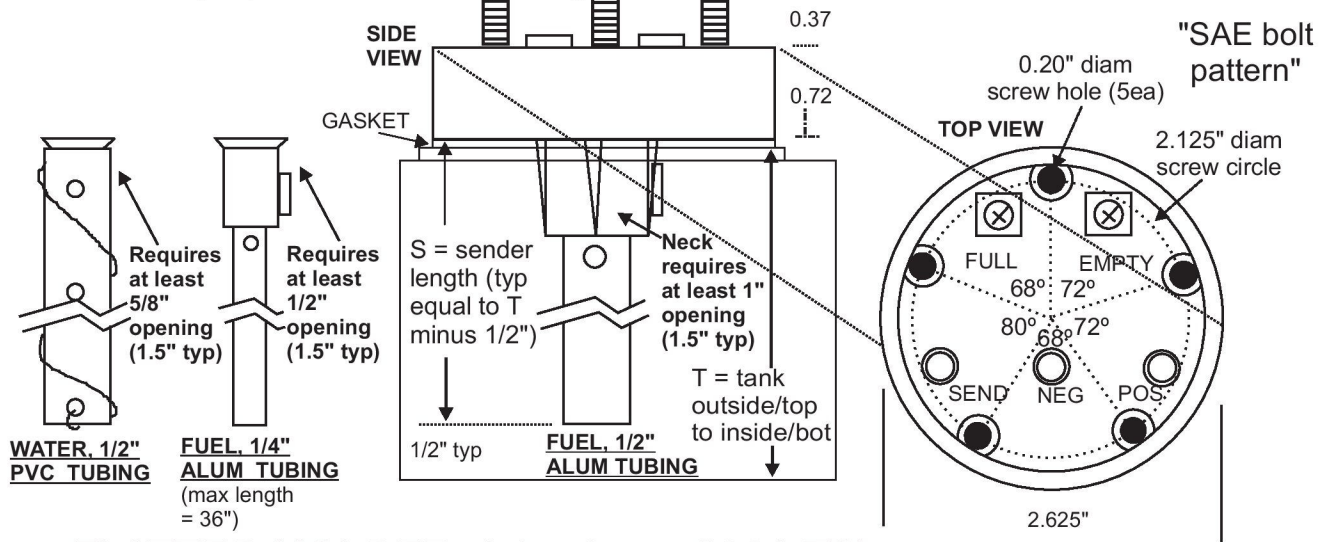


Centroid Products SENDER MOUNTS

4/13/09

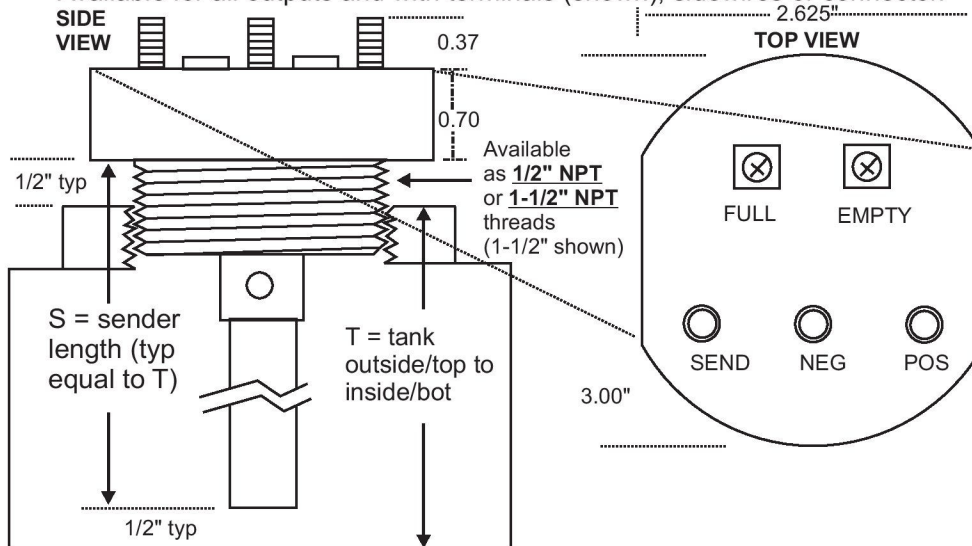
STANDARD 5-HOLE HOLDER ('nylon 6-6' head, SAE bolt pattern)

Available for all outputs, and with terminals (shown), sidewires or connector.



FLATTED HOLDER (aluminum 6061-T6)

Available for all outputs and with terminals (shown), sidewires or connector.



HEX HOLDER (aluminum 6061-T6)

Available for 0/5V output or alarm-only output. Sidewires (shown) or connector.

